



DIRECTIONAL LEDS

MagSafe™ Magnetic LED Warning Light

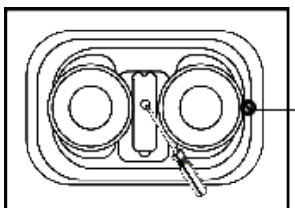
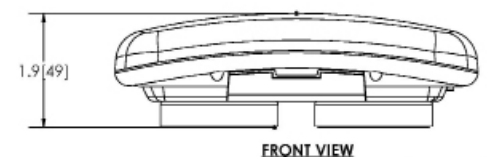
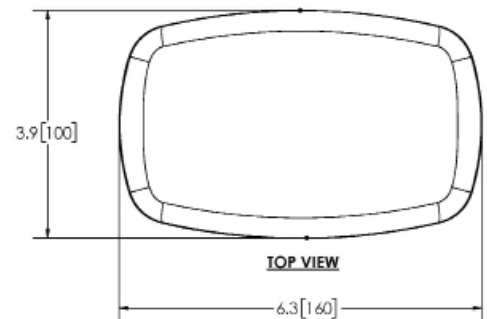
The MagSafe™ LED directional light offers long life, low-maintenance operation with no moving parts or flashtubes to break or replace. This premium LED head features an amber or red polycarbonate lens with 18 LEDs. This unique light can be mounted in a variety of places and is powered by 4 AA batteries. Warning capability can be customized by selecting from flash patterns or steady burn modes. The MagSafe™ LED is covered by a 1 year warranty.

Models

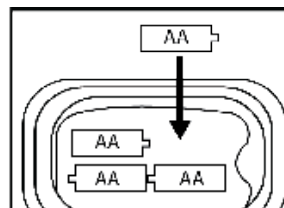
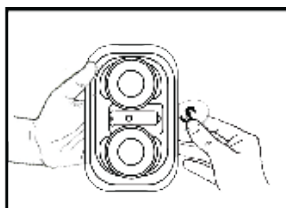
PART NO.	LENS COLOR	VOLTAGE	AMPS	UNIT	MOUNT
ED0016A	Amber	6	0.3	Single	Magnet
ED0016A-CP	Amber	6 (x6)	0.3 (x6)	(6) Counterpack	Magnet
ED0016R	Red	6	0.3	Single	Magnet
ED0016R-CP	Red	6 (x6)	0.3 (x6)	(6) Counterpack	Magnet

Features and Benefits

- High-strength neodymium magnet
- Powered by 4 AA batteries
- Flashing and steady burn modes
- Temperature Range: -22°F to +122°F (-30°C to +50°C)



POWER BUTTON
 Press once for single flash
 Press twice for steady flash
 Press three times to turn off



*Rechargeable batteries are NOT recommended.

Counterpack Option

ED0016A-CP

